

Operating Manual MSF220VL

updated: 130201 WL/Sc
from Firmware: 01

PTC-relay for dry transformers

Fan, warning, trip winding and trip core

Integrated control off an and monitoring of core



Table of contents

1	Application and short description	3
2	Overview of functions	3
3	Connection plan	3
3.1	Program 1 (default ex works).....	4
3.2	Program 2.....	4
3.3	Program 3.....	5
3.4	Program 4.....	5
4	Display and controls	6
5	Important information	7
6	Assembly	7
7	Putting into operation	8
7.1	Program select	8
7.2	Program setup	9
7.3	Setup operation	9
7.4	Number of program and query of firmware-version	9
7.4.1	Revision Firmware	9
8	Trouble shooting	10
9	Maintenance	10
10	Technical Data	10
11	Form V4	12

1 Application and short description

The MSF220VL is particularly suitable for monitoring of temperatures at dry transformers, when also the temperature of the core shall be measured.

Monitoring of core temperature is especially required in rectifier transformers because of harmonics causing heat in the core.

An intelligent control prolongs automatically the runtime of a cooling-fan, depending on the load of the transformer.

Each PTC-circuit is monitored for break and short circuit. This reduces probability of false alarms. Relays in operating-current mode prevent from a trip-signal when switching on supply voltage.

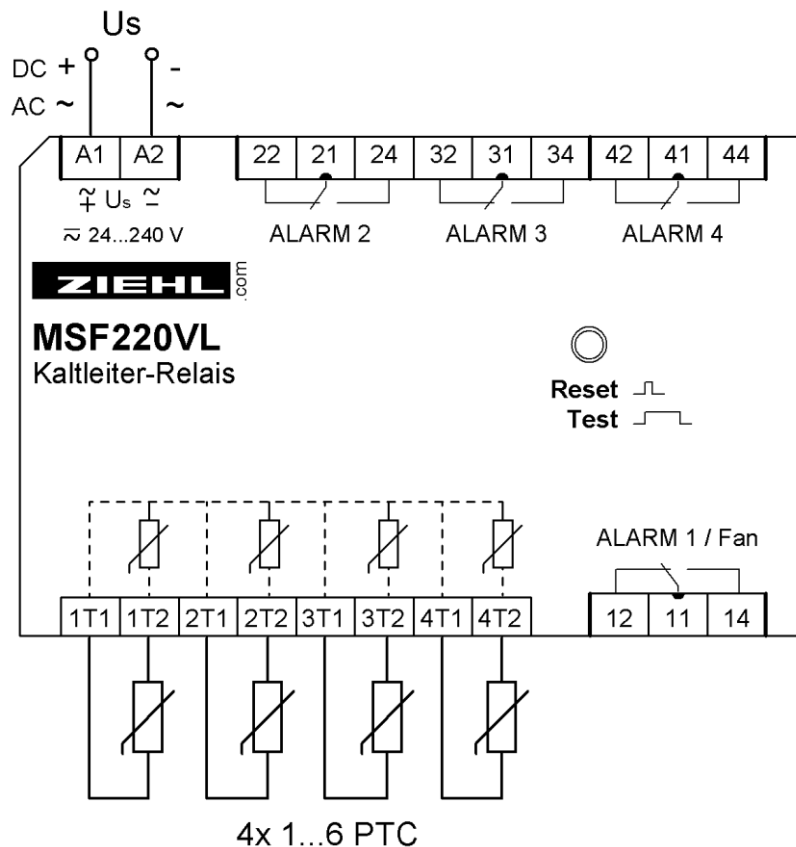
The device can be adapted to different applications with 4 programs:

- 1.) Fan-control - alarm - trip (winding) - trip (core)
- 2.) Alarm - trip (winding) - trip (core) - alarm (fault)
- 3.) Fan-control - alarm - trip (winding) - alarm (fault)
- 4.) Fan-control with hysteresis T1/T2 - alarm – trip (winding) - time relay

2 Overview of functions

- 4 inputs for PTC
- Intelligent control of fan
- Automatic fan-test 1x / week
- electronic reclosing lock for alarms (trip) connectable
- Monitoring of sensors
- Test-button
- Simple testing with disconnect table monitoring of
- break and short circuit (for 10 minutes)
- LEDs for alarms, states of relays and sensors
- Housing for mounting on DIN-Rail or wall-mount(option)
- Mounting height 55 mm
- Universal supply voltage AC/DC 24-240 V

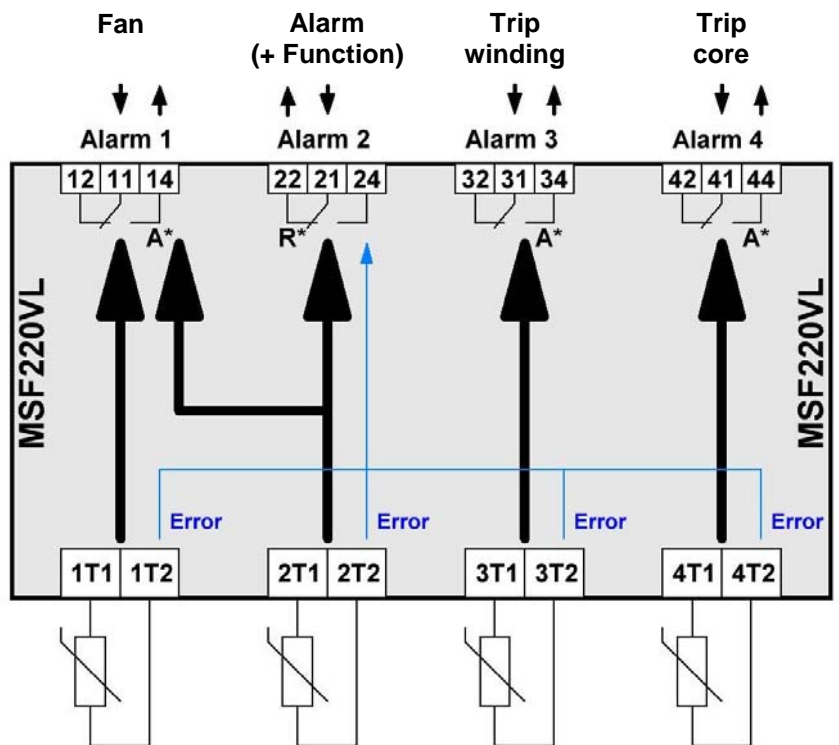
3 Connection plan



3.1 Program 1 (default ex works)

Fan-control – Alarm – Trip (winding) – Trop (core)

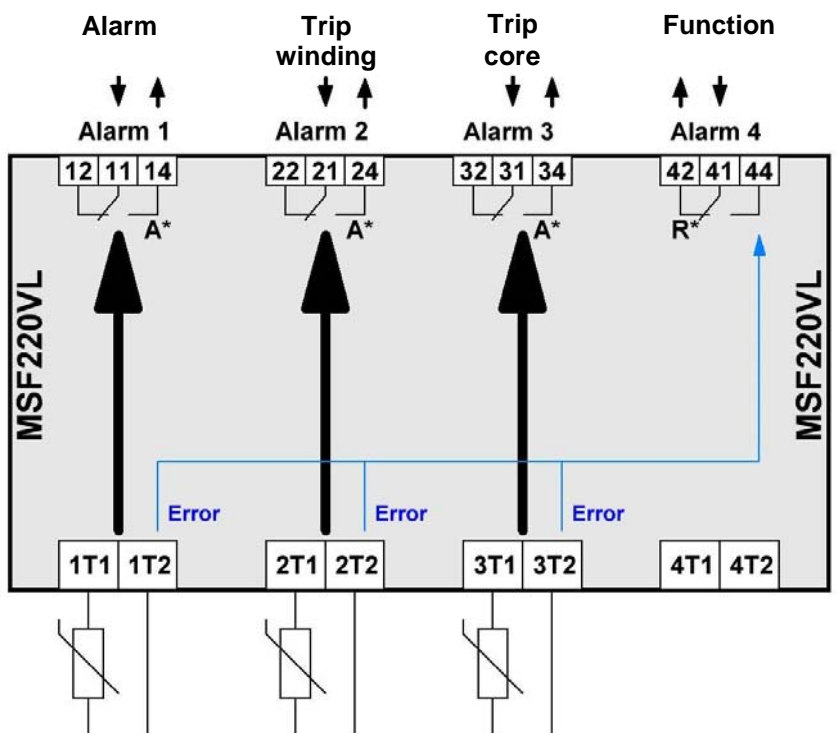
- Alarm 1 periodic test of fan
 - 1x per week for 12 minutes
- Resistor 1kΩ at 1T1/1T2
 - Test of fan deactivated, Alarm 1 (=Alarm 2) controlled by PTC 2T1/2T2 only
- Program 1R:
 - Alarm 3 and Alarm 4 = Electronic reclosing lock: reset with button Reset or disconnection of Us



3.2 Program 2

Alarm – Trip (winding) – Trip (core) – Alarm (function)

- without fan control
- Alarm 4 = monitoring of function (fault)
- Program 2R:
 - Alarm 2 and Alarm 3 = Electronic reclosing lock: reset with button Reset or disconnection of Us



A* = operating current mode -> relay picks up at alarm R* = closed current mode -> relay releases at alarm

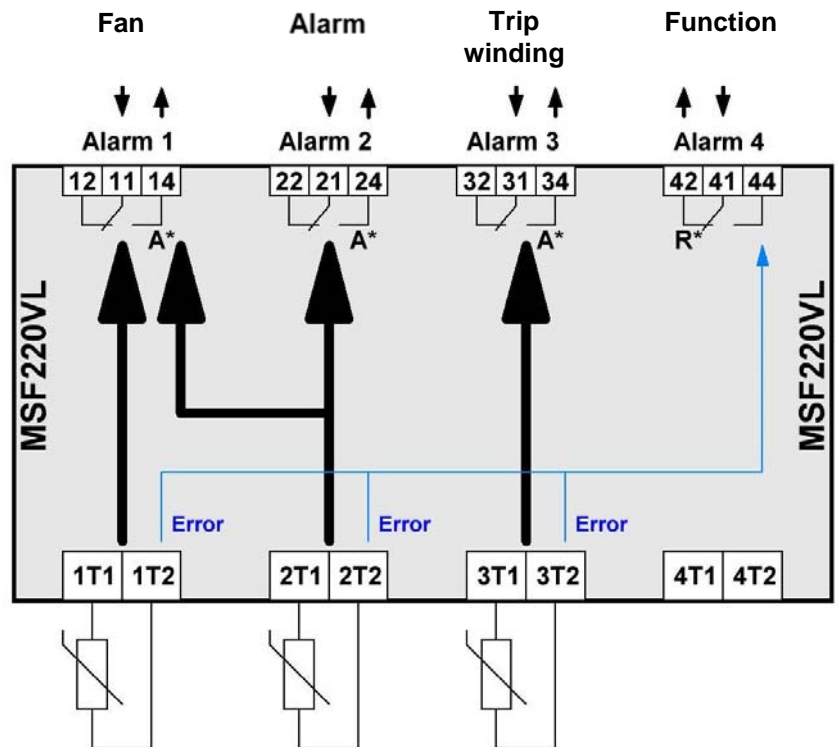
3.3 Program 3

Fan control – Alarm – Trip (winding) – Alarm (function)

- Alarm 1 periodic test of fan
 - 1x per week for 12 minutes
- Resistor 1kΩ at 1T1/1T2
 - Test of fan deactivated, Alarm 1 (=Alarm 2) controlled by PTC 2T1/2T2 only
- Alarm 4 = monitoring of function (fault)

Program 3R:

- Alarm 3 = Electronic reclosing lock: reset with button Reset or disconnection of Us



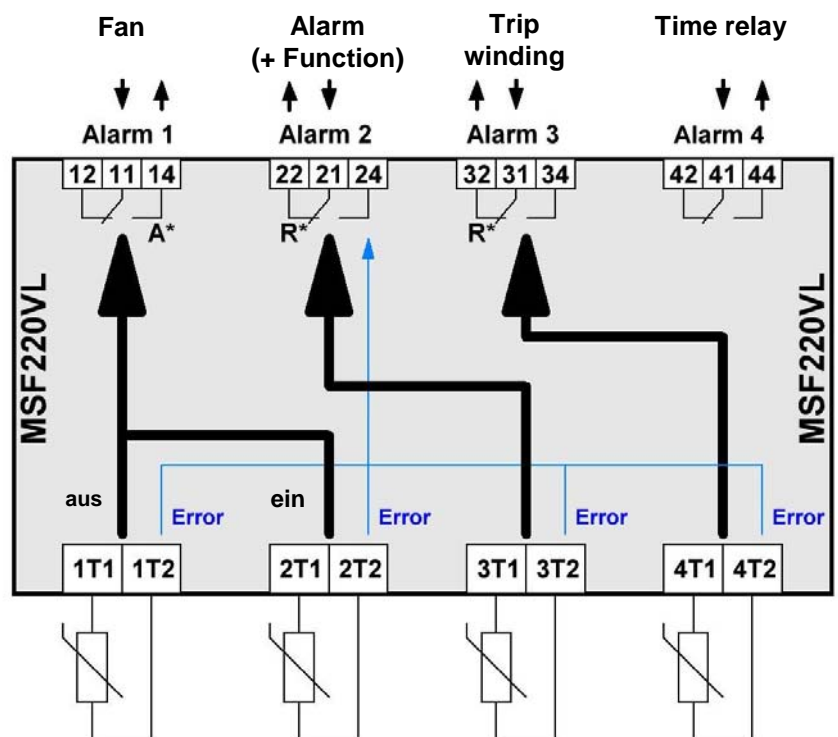
3.4 Program 4

Fan control with hysteresis 1T/2T – Alarm – Trip (winding) – Time relay

- Alarm 1 periodic test of fan
 - 1x per week for 12 minutes
- Resistor 1kΩ at 1T1/1T2
 - Test of fan deactivated, Alarm 1 (=Alarm 2) controlled by PTC 2T1/2T2 only
- Alarm 4 (time relay) picks up 2s after switching on Us and releases first when switching off Us
 - Connected in series with alarm 1 and/or alarm 2 it suppresses alarms when Us is switched on
- PTC at 1T1/1T2 and 2T1/2T2 not connected when switching on
 - No evaluation of signals at 1T1/1T2 and 2T1/2T2
- Sensor error at 1T1/1T2 or 2T1/2T2
 - Fan on

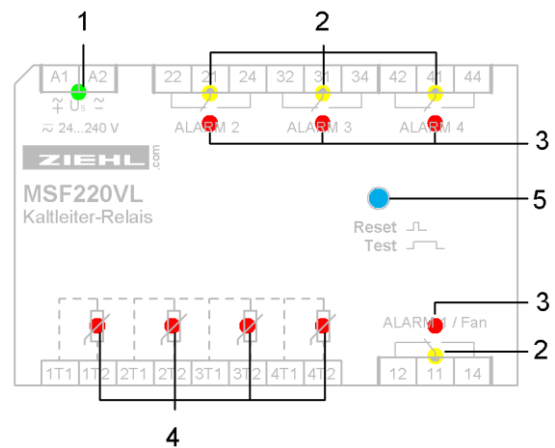
Program 4R:

- Alarm 3 = Electronic reclosing lock: reset with button Reset or disconnection of Us



A* = operating current mode -> relay picks up at alarm R* = closed current mode -> relay releases at alarm

4 Display and controls



1 LED Us

- on = normal operation
- blinking slowly = function test starts
- blinking quickly = setup mode
(monitoring of sensor break or sensor short circuit deactivated)
- blinking rhythmic 2x = program select

2 LED state of relays

- on = relay picked up
- off = relay released

3 LED Alarm

- on = Alarm
- off = no Alarm
- blinking slowly = stored alarm (delete with button Reset)
- = locked alarm, reset with button Reset or disconnection of Us
- = delayed switch off of fan (Alarm 1 only, not in program 2)
- blinking quickly (alarm 1 only) = fan test running (not in program 2)

4 LED sensors

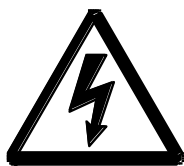
- on = nominal response temperature (NAT) of sensor exceeded
- off = ok, temperature of sensor < NAT
- blinking = sensor error

5 Button Reset / Test

- Stop of delayed switch off of fan (not in program 2)
- Delete stored alarms
- Test function -> activated by button Reset / Test > 2 s
(Aborts the test function when released)
 - after 2 s: LED „Us“ blinking, Alarm 1 on
 - after 5 s: LED „Us“ blinking, Alarm 2 on
 - after 8 s: LED „Us“ blinking, Alarm 3 on
 - after 11 s: LED „Us“ blinking, Alarm 4 on
 - after 15 s: all alarms off, **setup mode:**
 - > on for 10 minutes (termination with reset)
 - > LED „Us“ blinking fast
 - > monitoring of sensor break or sensor short circuit deactivated
 - > no reset after alarms required

5 Important information

Connect wires as per connection plan



DANGER!
Hazardous voltage!
Will cause death or serious injury.
Turn off and lock all power supplying this device before working on it.

To use the equipment flawless and safe, transport and store properly, install and start professionally and operate as directed.

Only let persons work with the equipment who are familiar with installation, start and use and who have appropriate qualification corresponding to their function. They must observe the contents of the instructions manual, the information which are written on the equipment and the relevant security instructions for the setting up and the use of electrical units.

The equipment is built according to DIN / EN and checked and leave the plant according to security in perfect condition. To keep this condition, observe the security instructions with the headline „Attention” in the instructions manual. Ignoring of the security instructions may lead to death, physical injury or damage of the equipment itself and of other apparatus and equipment.

If, in any case the information in the instructions manual is not sufficient, please contact our company or the responsible representative.

Instead of the industrial norms and regulations written in this instructions manual valid for Europe, you must observe out of geographical scope the valid and relevant regulations of the corresponding country.

When installing the device into the switch-gear cabinet, please observe the max. admissible temperature. Care for both, sufficient clearance to other devices or sources of heat or enough forced draught.

Attention! Universal power supply

The unit is equipped with a universal power supply, that is suitable for DC- and AC-voltages. Before connecting the unit to the current, make sure that the allowed scope of voltage of the control voltage U_s , written on the lateral type plate, corresponds to the supply voltage of the unit.



In case of failure of supply voltage, the monitored unit is not protected any more. The operator must ensure, that a failure is detected, e.g. by monitoring alarm 2 (programs 1 and 4) or alarm 4 (programs 2 and 3) and/or by testing the device regularly.

6 Assembly

The unit can be installed as follows:

- Installation in switchgear cabinet on 35 mm mounting rail according to EN 60715
- With 2 screws M4 for installation on wall or panel (required latch not included)

Connection according to connection plan.

7 Putting into operation

7.1 Program select

Prog.-No.	PTC-circuit	Operates	Connected device	Relay	Monitoring of function
1 (1R) default	1T..	Alarm 1	Fan	A 1) 2) 3)	Alarm 2
	2T..				
	3T..	Alarm 3	Trip winding	A 7) 8) 9)	
	4T..	Alarm 4	Trip core	A 7) 8) 9)	
2 (2R)	1T..	Alarm 1	Alarm	A 7)	Alarm 4
	2T..	Alarm 2	Trip Winding	A 7) 8) 9)	
	3T..	Alarm 3	Trip core	A 7) 8) 9)	
	4T not used	Alarm 4	Function	R	
3 (3R)	1T..	Alarm 1	Fan	A 1) 2) 3)	Alarm 4
	2T..				
	3T..	Alarm 3	Trip	A 7) 8) 9)	
	4T not used	Alarm 4	Function	R	
4 (4R)	1T..	Alarm 1	Fan (1T.. = on / 2T.. = off)	A 1) 3) 4) 5)	Alarm 2
	2T..				
	3T..	Alarm 2	Alarm	R 7)	
	4T..	Alarm 3	Trip	R 7) 8) 9)	
		Alarm 4	Time relay	X 6)	

- 1) Periodic test off an every 7 days for 12 minutes
- 2) Resistor 1kΩ at 1T.. = test off an disabled
- 3) Resistor 1kΩ at 1T.. = Fan controlled by PTC at 2T.. only
- 4) 1T.. and 2T.. not connected when switched on = no evaluation of 1T.. and 2T..
- 5) Error sensor at 1T.. or 2T.. = Fan on
- 6) Relay picks up 2s after switching on Us and releases first when switching off Us
- 7) Alarm LED blinking after alarm (stored alarm), reset with button Reset
- 8) Error sensor at this input and simultaneous alarm = trip
- 9) in programs 1R, 2R, 3R or 4R: locked alarm, reset with button Reset or disconnection of Us

Monitoring of function (relay releases at an alarm):

- Alarm at missing supply voltage of MSF220VL
- Alarm at sensor error (short circuit or break) in a PTC-circuit

Relay:

- Operating mode (A) -> Relay picks up at alarm
- Closed current mode (R) -> Relay releases at alarm
- Time relay (X) -> Us=on -> relay picks up after 2s, Us=off -> relay releases first

Delayed switch off of fan:

- First activation of fan -> delay = 20 minutes
- Next activation after max. 60 minutes -> delay = 40 minutes
- Next activation after max. 30 minutes -> delay = 60 minutes
- After 5 hours without activation off an or disconnection of Us -> delay = 20 minutes

7.2 Program setup

- Disconnect supply voltage Us
- Press button Reset/Test and keep it pressed
- Switch on supply voltage Us (keep button Reset/Test pressed)
- LED Us starts blinking (rhythmic 2x) after 5s
- Select program with button Reset/Test ([see also 7.4](#))

<input type="checkbox"/> red LED 1T blinks	= program 1
<input type="checkbox"/> red LED 1T + alarm 3 + alarm 4 blinks	= program 1R, alarm 3 und alarm 4 locked
<input type="checkbox"/> red LED 2T blinks	= program 2
<input type="checkbox"/> red LED 2T + alarm 2 + alarm 3 blinks	= program 2R, alarm 2 und alarm 3 locked
<input type="checkbox"/> red LED 3T blinks	= program 3
<input type="checkbox"/> red LED 3T + alarm 3 blinks	= program 3R, alarm 3 alarm
<input type="checkbox"/> red LED 4T blinks	= program 4
<input type="checkbox"/> red LED 4T + alarm 3 blinks	= program 4R, alarm 3 locked

To store the program press button Reset/Test for 2 s.

When no button has been pressed for >30 s, the device switches back in operating mode. Changes are rejected.

When supply voltage Us switched on, all LEDs are on for 1 s. The red LEDs indicate the program by blinking fast.

(see table [7.4 Program-No. and query of firmware-version](#)).

7.3 Setup operation

See 4. Display and Controls -> button Reset / Test

7.4 Number of program and query of firmware-version

- Press button Reset/Test 5x quickly in succession (within 2 s)
- green LED power off, number of program and firmware-version are displayed for 5s
- yellow LEDs alarm 2 ... alarm 4 = firmware-version (binary coded, AL2 = Bit0 ... AL4 = Bit2)
- red LEDs indicate the program by blinking fast:

rote LED an ...	1T	2T	3T	4T	Alarm 1	Alarm 2	Alarm 3	Alarm 4
Program 1	blinks							
Program 1R	blinks						blinks	blinks
Program 2		blinks						
Program 2R		blinks				blinks	blinks	
Program 3			blinks					
Program 3R			blinks				blinks	
Program 4				blinks				
Program 4R				blinks			blinks	

ATTENTION: while displaying number of program and firmware-version monitoring functions of MSF220VL are disabled.

7.4.1 Revision Firmware

Version 00 : final version

Version 01 + 02: new programs (program 1R, program 2R, program 3R, program 4R)

8 Trouble shooting

Function and meaning of LEDs see

[4. Display and controls](#)

Display of program-no. And firmware-version see

[7.4 Number of program and firmware-version](#)

9 Maintenance

ZIEHL industrie-elektronik GmbH + Co KG – Daimlerstr.13 – D-74523 Schwäbisch Hall

Telefon: +49 791 504-0 – Fax: +49 791 504-56

E-Mail: info@ziehl.de – Homepage: www.ziehl.de

10 Technical Data

Supply voltage Us:

Tolerance

Power consumption

AC/DC 24 – 240 V

DC 20,4 - 297 V AC 20 - 264 V 50/60 Hz

< 1,5 W < 5 VA

PTC-resistor input

Inputs

Cut-out point

Reclosing point

Collective resistance of cold sensor

Short-circuit monitoring

Terminal voltage (sensors)

Terminal current (sensors)

4 x 1...6 PTCs (thermistors) in series

3,3 kΩ...4,0 kΩ, typ. 3,65 kΩ

1,5 kΩ...1,65 kΩ, typ. 1,6 kΩ

≤ 1,5 kΩ

R_{min}>40 Ω, R_k = 20...40 Ω

≤ 0,5 V at R ≤ 250 Ω, ≤ 3,3 V at R ≥ 4000 Ω

max. 1,2 mA

Relay data K2, K3, K4 (alarms 2, 3, 4)

Switching voltage

Switch-on current (no)

Minimum voltage / current

Switching current I_{th}

Switching power max. AC (cos φ = 1)

Switching power max. DC

Rated operational current I_e

Recommended fuse

Electrical contact life

3 x 1 changeover contact

max. AC 400 V

max. DC 300 V

30 A 4s 10% on period

12 V / 10 mA

max. 5 A

2000 VA

0,3 A DC 300 V

0,4 A DC 120 V

0,8 A DC 60 V

category AC 15 / I_e = 3 A / U_e = 250 V

category DC 13 / I_e = 2 A / U_e = 24 V

T 3,15 A (gL)

cos φ = 1 -> 5 x 10⁵ operations at AC 250 V / 2 A

Relay data K1 (alarm 1 / fan)

Switching voltage

Switch-on current (no)

Minimum voltage / current

Switching current I_{th}

Switching power max. AC (cos φ = 1)

Switching power max. DC

Rated operational current I_e

Recommended fuse

Electrical contact life

1 changeover contact

max. AC 400 V

max. DC 300 V

30 A 4s 10% on period

12 V 10 mA

max. 10 A

4000 VA

0,3 A DC 300 V

0,4 A DC 120 V

0,8 A DC 60 V

category AC 15 / I_e = 6 A / U_e = 250 V

category DC 13 / I_e = 2 A / U_e = 24 V

gG/gL 10 A

cos φ = 1 -> 1 x 10⁵ operations at AC 400 V / 10 A

Testing conditions

Rated insulation voltage	EN 60947-8
Contamination level	Ui AC 300 V
Overvoltage category	2
Rated impulse voltage:	III
EMC – immunity (industry)	4000 V
EMC – emission class B	EN 61000-6-2
On period	EN 61000-6-3
	100 %

Environmental conditions

Rated ambient temperature range	-20 °C ... +60 °C
Storage temperature range	-20 °C ... +70 °C
Altitude	< 2000 m above MSL
Climatic conditions	5-85% rel. humidity, no condensation

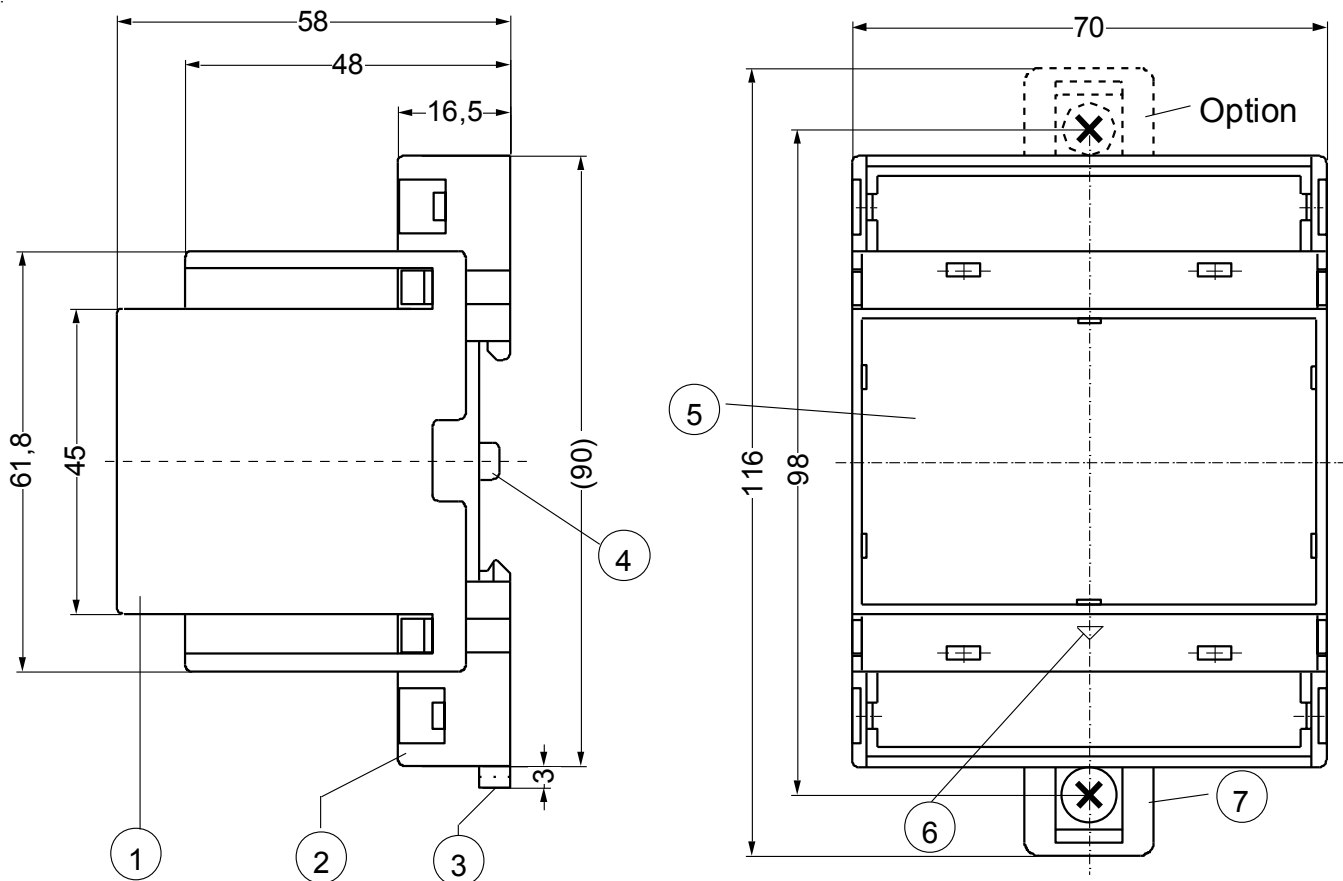
Housing:

Mounting height	design V4
Dimensions (W x H x D)	55 mm
Line connection solid wire	70 x 90 x 58 mm
Stranded wire with insulated ferrules	1 x 0,14 mm ² – 2,5 mm ²
Strip length	je 1 x 0,14 mm ² – 1,5 mm ²
Torque	min. 8 mm
Protection housing	0,5 Nm (3,6 lb.in)
Protection terminals	IP 30
Attachment	IP 20
Weight	Snap-mount on 35 mm standard rail acc. to EN 60715 or with 2 screws M 4 (required latch not included)
	app. 190 g

Subject to technical modifications

11 Form V4

dimensions in mm



- 1 cover
- 2 base
- 3 bar for snap mounting
- 4 latch for sealing
- 5 front panel
- 6 position downward
- 7 for fixing to wall with screws, Ø 4.2 mm

Sie finden diese und weitere Betriebsanleitungen, soweit verfügbar auch in Englisch, auf unserer Homepage www.ziehl.de.

You find this and other operating instructions on our homepage www.ziehl.de, as far as available also in English.